

## TECHNICAL SPECIFICATIONS



### Engine

Engine Model	YANMAR 4TNV98
Number of Cylinders	4
Max. Torque/Speed	237N·m/1400rpm
Displacement	3.32L



### Hydraulic system

Max. Main Pump Flow	144L/min
Main Safety Valve Pressure	28MPa



### Main Performance

Bucket Digging Force	56kN
Arm Digging Force	38kN
Max. Traction Force	61kN
Max. Walking Speed	4.3km/h
Min. Walking Speed	2.7km/h
Rotary Speed	11.5r/min
Gradeability	35°
Ground Pressure	35.1kPa



### Oil Capacity

Fuel Tank	160L
Hydraulic Tank	100L
Engine Oil	5-9.4L



### LOVOL CONSTRUCTION MACHINERY GROUP CO., LTD.

Address: No. 75, Huanghe East Road, Huangdao District, Qingdao City, Shandong Province, China.

Website: [en.lovol.com](http://en.lovol.com)

Alibaba: [lovolconstruction.en.alibaba.com](http://lovolconstruction.en.alibaba.com)

Facebook: Cons Lovol

E-mail: [lovol\\_overseas@global.lovol.com](mailto:lovol_overseas@global.lovol.com)

TEL: +86-532-86907190

As manufacturer, LOVOL has right to constantly upgrade and improve our products without informing to customers. The pictures in literatures are for reference only, the detailed specifications are subject to real products.



Rated Power

**44.4kW/2100rpm**

Operating Weight

**7650kg**

Bucket Capacity

**0.3m<sup>3</sup>**

# FR80E<sub>2</sub>

EXCAVATOR



## ENERGY-SAVING

### LOVOL Customized Engine

Equipped with original YANMAR engine which is imported from Japan, the fuel injection system is perfectly matched with electric control system, it provides optimal fuel utilization to machine. The advanced fuel filter, oil filter and air filter can provide great protection to engine.

### Efficient Hydraulic System

Hydraulic system adopts load-sensing hydraulic control system which is optimized by LOVOL Japan Engineering Center, it has excellent controllability and can adapts various applications.

### Advanced Technology and Optimal Machine Performance

Adopts electronic- control main pump which can intelligently adjust the power matching between the main pump and the engine according to the loading changes, the fuel is dramatically saved while assuring high efficiency.



## RELIABILITY

### Superb Match

The key parts of the power system, hydraulic system and electronic control system are specially customized to achieve perfect matching and compatibility with one another, which deliver maximum reliability and longer service life.

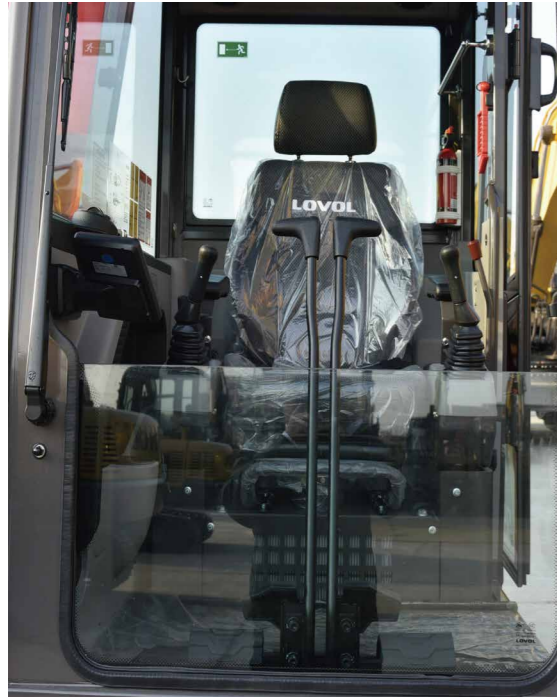
### Core Components

Relying on the R&D system of LOVOL Japan Engineering Center, LOVOL has established a solid partnership with world-renowned companies to continuously optimize and improve the quality and service life of our key components. Industry leading components are used on our machines including engine, pump, valve, motor, oil cylinder, controller and forth.

### Reinforced Working Device

The front & rear support of boom and front support of arm are made of cast steel, which effectively reduces concentration of stress and increases the service life dramatically. The arm is also reinforced to improve the durability.

## COMFORT



### Large Spacious Cab

Equipped with spacious cab which provides operator large space to operate machine. The premium suspension seat with armrests is very comfortable and it can reduce the working fatigue dramatically. Big LCD screen is easy to read all data and to operate when working. Air conditioning is added for maximum comfort.

### Ergonomic Design

The proportional joystick delivers sensitivity, accuracy and smoothness during operation. This joystick is specially designed to meet different operating conditions. Intelligent control system is standard which could control diverse attachments such as bucket, hammer, scarifier and hydraulic scissors.

### Low Noise and Low Vibration

In order to reduce work fatigue and improve productivity, the noise inside of cab has been controlled to the lowest level. The cab is attached to the frame with buffer that dampens vibrations and sound levels to enhance operator comfort.

## SERVICEABILITY



### Engine hood and panels

The large engine hood increases maintenance space for operator to check and maintain the engine. The tool box is big with big opening angle which can put grease bucket and special tools easily. One key can open all locks of machine, it is very convenient for operator.

### Electric and hydraulic parts

Pressure sensor is used on the main pump which can monitor hydraulic system's pressure when working. Centralized lubrication makes convenient and easy maintenance to slewing bearing, and the radiator is optimized for easy cleaning. These configurations make routine maintenance easy and convenient.

### Filters and maintenance period

All the filters are fixed at ground level, it is very convenient to do routine maintenance. The maintenance interval is also extended to save time and cost.

## INCREASE YOUR PRODUCTIVITY AND PROFIT WITH LOVOL ATTACHMENTS

You can easily expand the performance of your machine by utilizing any of the variety of LOVOL Attachments.

Each LOVOL Attachments is designed to fit the weight and horsepower of LOVOL Excavator for improved performance, safety, and stability.



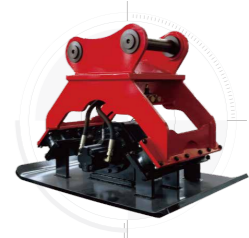
Log Grapple



Trenching Bucket



Hydraulic Rammer



Quick Coupler



Hydraulic Hammer



Standard Bucket



## STANDARD CONFIGURATION

### Engine

- 4-stroke water-cooled direct injection
- Radiator with protective fence
- Air Pre-filter
- Air intake heater
- Fan guard

### Hydraulic System

- Automatic hydraulic system (flow confluence system)
- Multistage filtration system
- Cylinder buffer device
- Auxiliary hydraulic valve
- Dual-speed travel motor
- Anti-slope turning device
- Waste oil drainage pipeline
- Hydraulic oil regeneration

### Electronic Control System

- 12V power battery
- Monitor brightness adjustment
- Maintenance tips
- Safe stop & start function
- Master switch
- Engine start protection
- Multilingual display
- Cab ceiling light
- Automatic diagnosis system
- Automatic idle speed system

### Cab

- Ashtray
- Cigarette lighter
- Seat belt
- Shade plate
- Storage compartment
- Emergency hammer
- Air conditioner
- Audio speaker
- Shock absorber
- Flexible aerial
- Radio
- Hydraulic safety locking rod
- Sun proof safety glass
- Cab floor mat
- Pull-up front window
- Dismountable lower windshield
- Sun shade window
- Windshield wiper
- Skylight window
- Cup holder

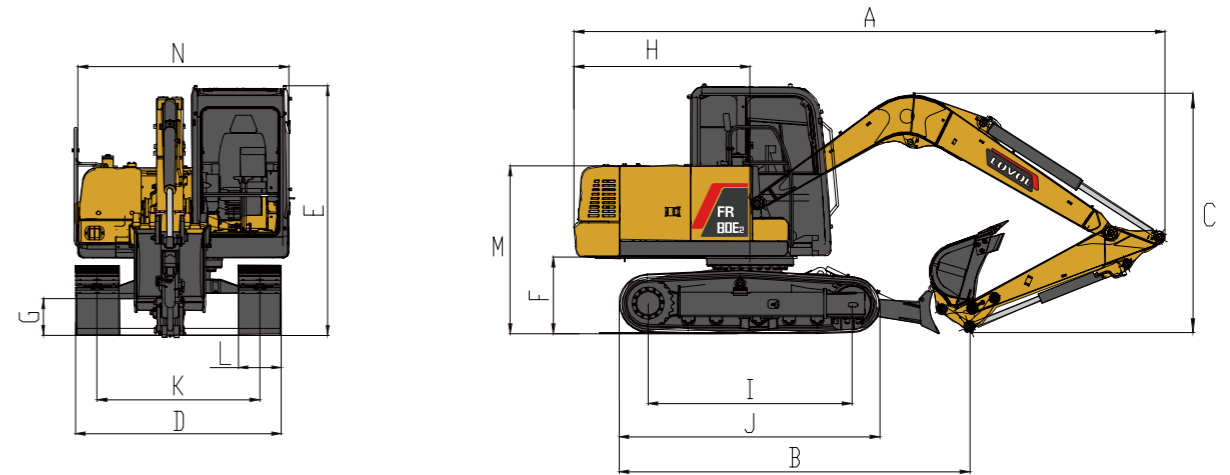
### Swing Platform

- Toolbox
- Large pedal
- Large handrail
- Bottom guard plate

### Chassis

- Fixed chassis
- 450mm triple tooth track plate

## TECHNICAL SPECIFICATIONS

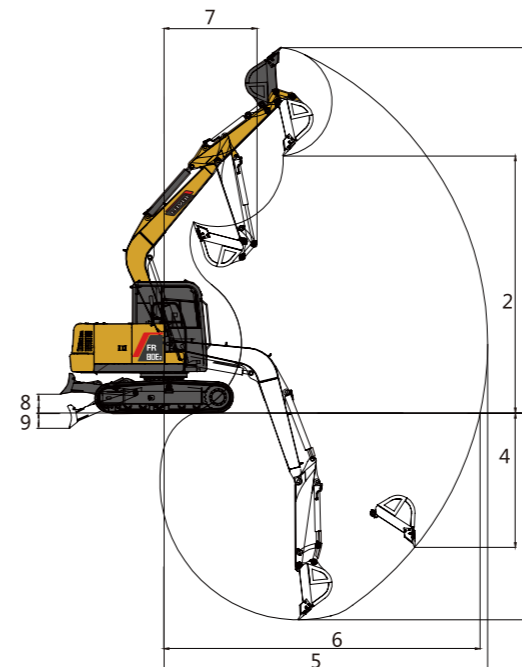


### Working Range

Max. Digging Height	1	7150mm
Max. Dumping Height	2	5030mm
Max. Digging Depth	3	4050mm
Max. Vertical Digging Depth	4	3670mm
Max. Digging Radius	5	6335mm
Max. Ground Digging Radius	6	6190mm
Min. Turning Radius	7	1770mm
Dozer Blade Lifting Height	8	375mm
Dozer Blade Falling Height	9	295mm

### Dimensions

Shipping Length	A	6100mm
Shipping Ground Length	B	3665mm
Boom Height	C	2575mm
Shipping Width	D	2275mm
Cab Height	E	2650mm
Ground Clearance of Counter Weight	F	820mm
Min. Ground Clearance	G	378mm
Tail Turning Radius	H	1830mm
Wheel Tread	I	2130mm
Track Length	J	2770mm
Track Gauge	K	1700mm
Track Shoe Width	L	450mm
Hood Height	M	1750mm
Rotary Platform Width	N	2275mm



### Other Specifications

Boom Length	3708mm
Arm Length	1650mm
Track Section Number (each side)	38
Track Roller Number	5
Dozer Blade Height	425mm